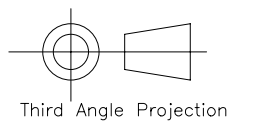
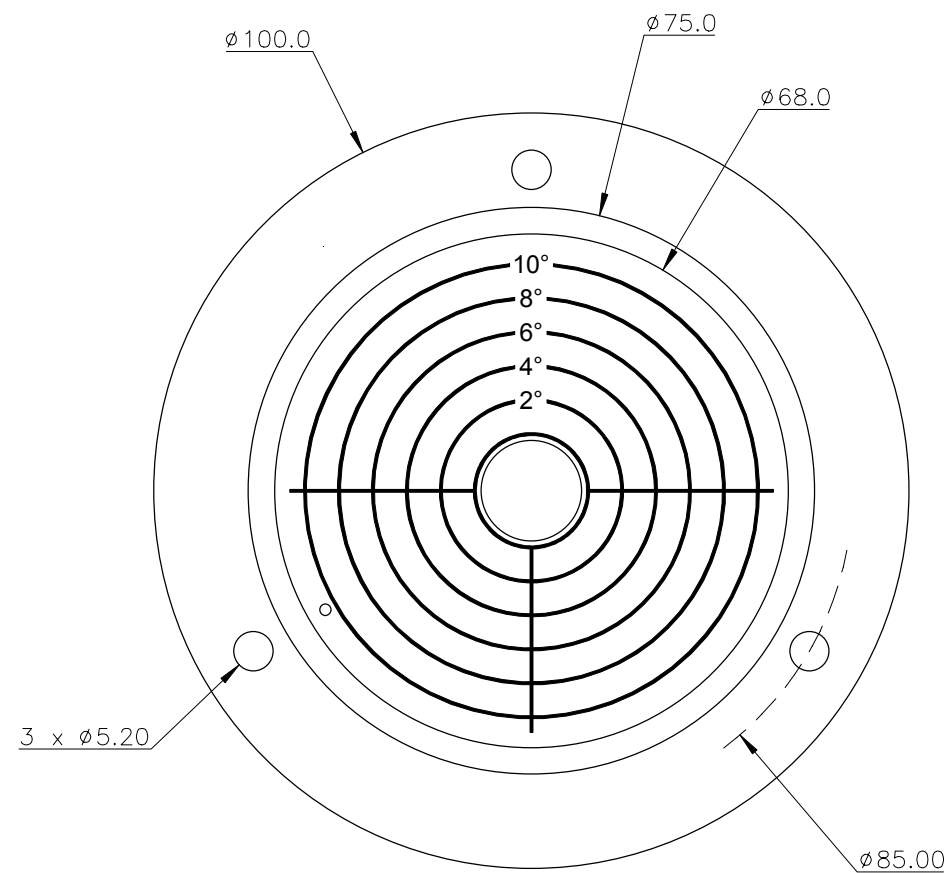
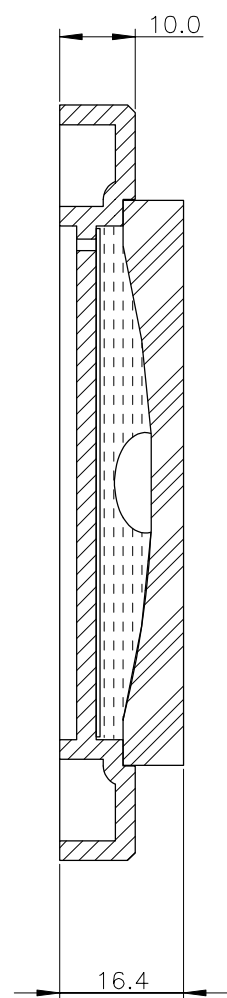


Used On AVF100/10	Scale 1:1	Title AVF100/10 Large Diameter Plastic Circular Level	Drawing Number 3377/1	
			Issue	Amendment
			Date	

Vial sensitivity : 2° for 4mm airbell movement  
Bubble Size : 13.3 ± 0.6 @20°C  
3 x Mounting Holes for M5 screws, maximum torque 1.5Nm



Finish	Tolerances	XX. +/- 1.0	Material	PMMA	Level Developments Ltd Croydon, Surrey, CR0 2DN t.+44 (0)20 8684 1400
	Unless Stated	XX.X +/- 0.25	Drawn By	JHL	
	Otherwise	XX.XX +/- 0.1	Date	03/06/2009	