

THE POWER OF

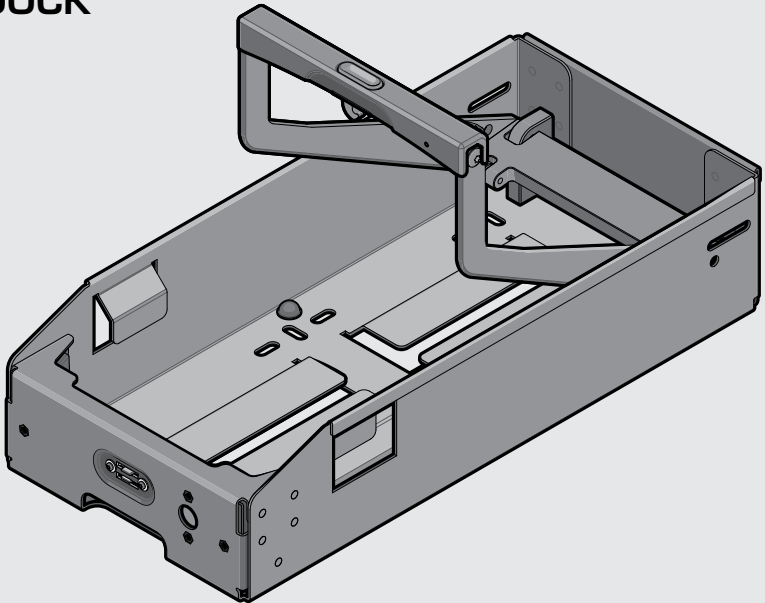
REDARC[®]

PowerDock

Dock for the GoBlock
Portable Dual Battery System

MODEL:

■ PPSDOCK

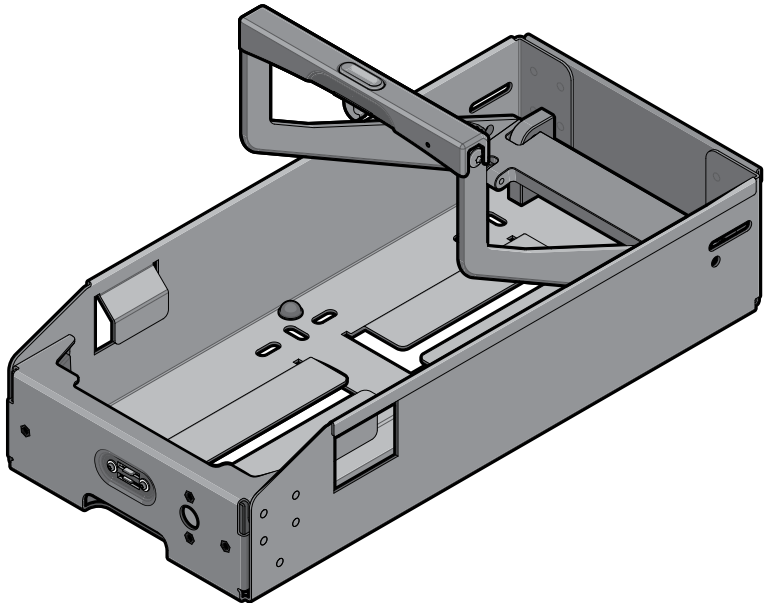


PowerDock™

Dock for the GoBlock Portable Dual Battery System

When installed correctly, the PowerDock provides a secure way to transport the GoBlock in a vehicle, and serves as an interface between the vehicle and the GoBlock's functions.

The PowerDock allows you to get the most out of your GoBlock portable power system. This permanent installation allows you to securely mount your system and rapidly charge your GoBlock from both the vehicle and connected solar inputs.



CONTENTS

WARNINGS & SAFETY INFORMATION	4
KIT CONTENTS	6
PARTS OF THE PowerDock	7
MOUNTING THE PowerDock	8
Mounting Surface Requirements	8
Mounting Clearances	9
Mounting Parts	10
Sourcing Your Own Mounting Hardware	10
Mounting Steps	11
WIRING	13
Wiring Parts	13
Sourcing Your Own Parts	15
Cable Sizing	15
Wiring the PowerDock Terminal Assembly	17
Wiring to the Vehicle	21
OPERATION	22
Dock the GoBlock	22
Undock the GoBlock	23
Safe Vehicle Transportation	24
Padlock Attachment	24
CARE AND MAINTENANCE	25
Care and Maintenance Advice	25
Spare Parts	26
TROUBLESHOOTING	27
General Troubleshooting	27
Frequently Asked Questions	27
TECHNICAL SPECIFICATIONS	28
WARRANTY	29
ADDITIONAL INFORMATION	30
Checking the Product Serial Number	30

WARNINGS & SAFETY INFORMATION

Save these instructions — this manual contains important safety instructions. Do not operate the system unless you have read and understood this manual. REDARC recommends that the PowerDock be installed by a suitably qualified person.

Disclaimer: REDARC accepts no liability for any injury, loss or property damage which may occur from the improper or unsafe installation or use of its products.

⚠ WARNING

- An unsecured GoBlock can become dangerous in an accident or sudden stop. The GoBlock must be securely locked into the PowerDock during transport — make sure the Handle is fully closed and latched prior to travel.
- The PowerDock must be installed behind (not in front) of the vehicle seats. Do not install the PowerDock in the vehicle interior area shared by occupants.
- Do not mount the PowerDock to non-permanent/moveable floor panels in your vehicle. The Dock must be permanently mounted to a fixed structural part of the vehicle, or to a surface that is rated to hold a minimum of 500 kg (1102 lb).
- Incorrect handling or disassembly/reassembly may result in a risk of electric shock or fire. Any attempt to disassemble/reassemble the PowerDock, or make unapproved repairs or modifications will void the warranty and the user's authority to operate the PowerDock.
- Do not insert foreign objects or fingers into the PowerDock Terminals.
- Do not expose the PowerDock to temperatures beyond the published limits.
- Do not operate the PowerDock beyond the published ratings. Doing so may result in damage to the PowerDock, fire, explosion and burns/personal injury. For this reason, it is of utmost importance that you follow the instructions when installing and operating the PowerDock.
- If any mechanism or part of the PowerDock becomes broken or damaged, it may affect its ability to safely restrain the GoBlock. Discontinue use of the PowerDock immediately.
- Use suitable Personal Protective Equipment (PPE) when operating power tools.



⚠ CAUTION

- Terminals are high powered and have a risk of arcing – keep flammable substances away from the terminals.
- The PowerDock should not be used by persons (including children) with reduced physical, sensory or mental capabilities, or lack of experience and knowledge, unless they are supervised or have been instructed on how to use the appliance by a person responsible for their safety. Children should be supervised to ensure that they do not play with the PowerDock.
- Cable and fuse sizes are specified by various codes and standards which depend on the type of vehicle the PowerDock is installed into. Selecting the wrong cable or fuse size could result in harm to the installer or user and/or damage to the battery or other equipment installed in the system. The installer is responsible for ensuring that the correct cable and fuse sizes are used when installing the PowerDock.
- Risk of Pinch Points! Take care when docking/undocking the GoBlock from the PowerDock and keep fingers clear of the Handle when closing it. Keep fingers clear of the PowerDock Terminals.
- When the GoBlock is Docked in the PowerDock and is charging/discharging, parts of the system may become hot. Do not place flammable items nearby to the PowerDock when it is in use.
- Do not use the PowerDock to store or transport objects other than the GoBlock.
- Keep metal objects and liquids away from the Terminal Contacts in the PowerDock Tray. Accidental arcing may occur, causing fuses to blow.

NOTICE

- REDARC recommends only using genuine Anderson™ connectors for the PowerDock installation. Counterfeit or generic connectors may result in a poor quality connection.

SAFETY MESSAGE CONVENTIONS

Safety messages in this manual include a signal word to indicate the level of the hazard as follows:

⚠ WARNING

A potentially hazardous situation which, if not avoided, **could result in death or serious injury to the operator or to bystanders.**

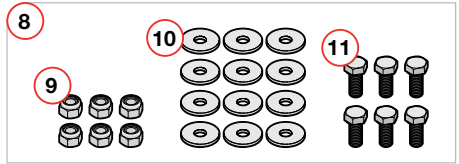
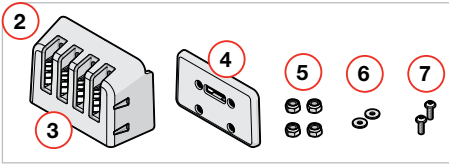
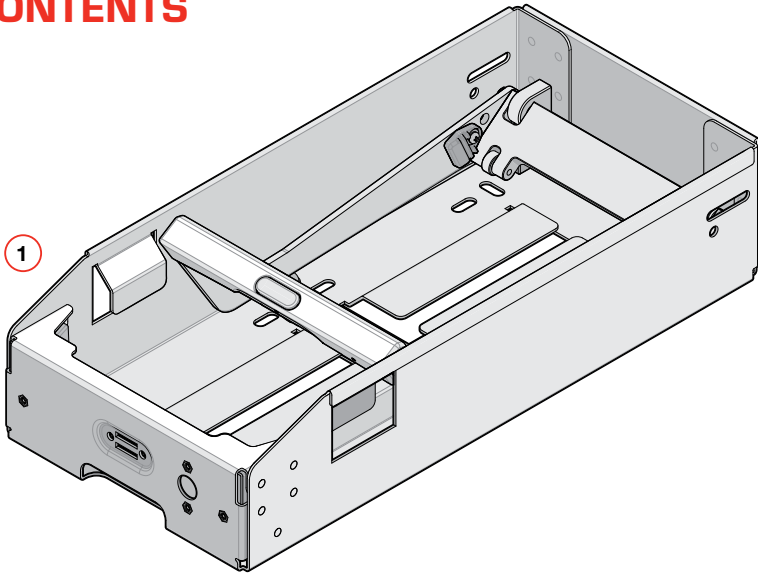
⚠ CAUTION

A potentially hazardous situation which, if not avoided, **may result in moderate or minor injury to the operator or to bystanders.**

NOTICE

A situation that **will not cause personal injury but may cause equipment damage.**

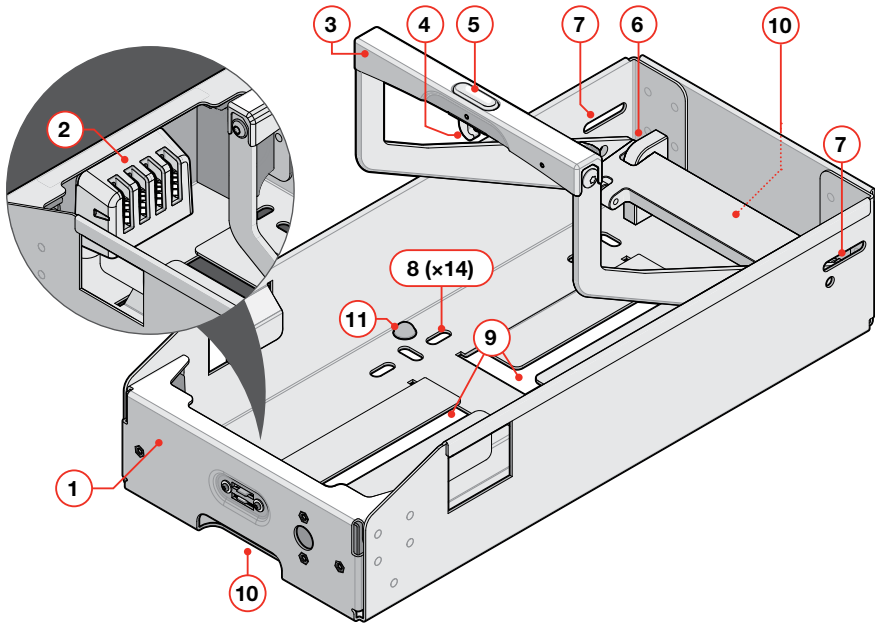
KIT CONTENTS



Ref.	Part Description	QTY
1	PowerDock	1
2	PowerDock Terminal Assembly <i>(also available separately: PPSDOCKKIT-002)</i>	1
3	PowerDock Terminals	1
4	Terminals Cover (Insulator)	1
5	M5 Nyloc Nuts	4
6	Washers (M3)	2
7	Screw, K30 x 10mm Pan-head	2
8	PowerDock Mounting Hardware <i>(also available separately: PPSDOCKKIT-001)</i>	1
9	M8 Nyloc Nuts	6
10	M8 Washers	12
11	M8 Bolts	6

The PowerDock Terminal Assembly Kit (PPSDOCKKIT-002) is a servicable part that requires periodic replacement. For more information, see '[PowerDock Terminal Assembly Kit \(PPSDOCKKIT-002\)](#)' (page 26).

PARTS OF THE PowerDock



1. PowerDock Body

2. PowerDock Terminal Assembly

The electrical interface between the PowerDock and GoBlock. See '[Wiring the PowerDock Terminal Assembly](#)' (page 17).

Handle Assembly

3. Handle

Restrains the GoBlock when fully closed and latched.

4. Latch Hook

Hooks into the Anchor Point on the top of the GoBlock, locking the GoBlock for safe transportation.

5. Quick Release Button

Press to release the latched Handle when Undocking the GoBlock (page 23).

6. Hinge

7. Padlock Attachment Points

Attach a padlock to the left or right Padlock Attachment Point as an anti-theft measure. See '[Padlock Attachment](#)' (page 24).

8. Mounting Holes (x14)

Mounting holes for securely bolting the PowerDock Body to your vehicle. See '[Mounting the PowerDock](#)' (page 8).

9. Cable Channel

A channel for running cables underneath the PowerDock from front-to-back.

10. Cable Exit Point

Route cables from the PowerDock Terminal Assembly to the vehicle via the Cable Exit Points located at the front and back of the Dock.

11. Anti-Vibration Bushes

Absorb vibration during transport. Different types are located throughout the assembly. See '[Anti-Vibration Bushes, Pivots and Feet](#)' (page 26).

MOUNTING THE PowerDock

Mounting Surface Requirements

⚠ WARNING

Do not mount the PowerDock to non-permanent/moveable floor panels in your vehicle.

The Dock must be permanently mounted to a fixed structural part of the vehicle, or to a surface that is rated to hold a minimum of 500 kg (1102 lb).

Before you begin mounting the PowerDock, ensure that the following mounting surface requirements will be met:

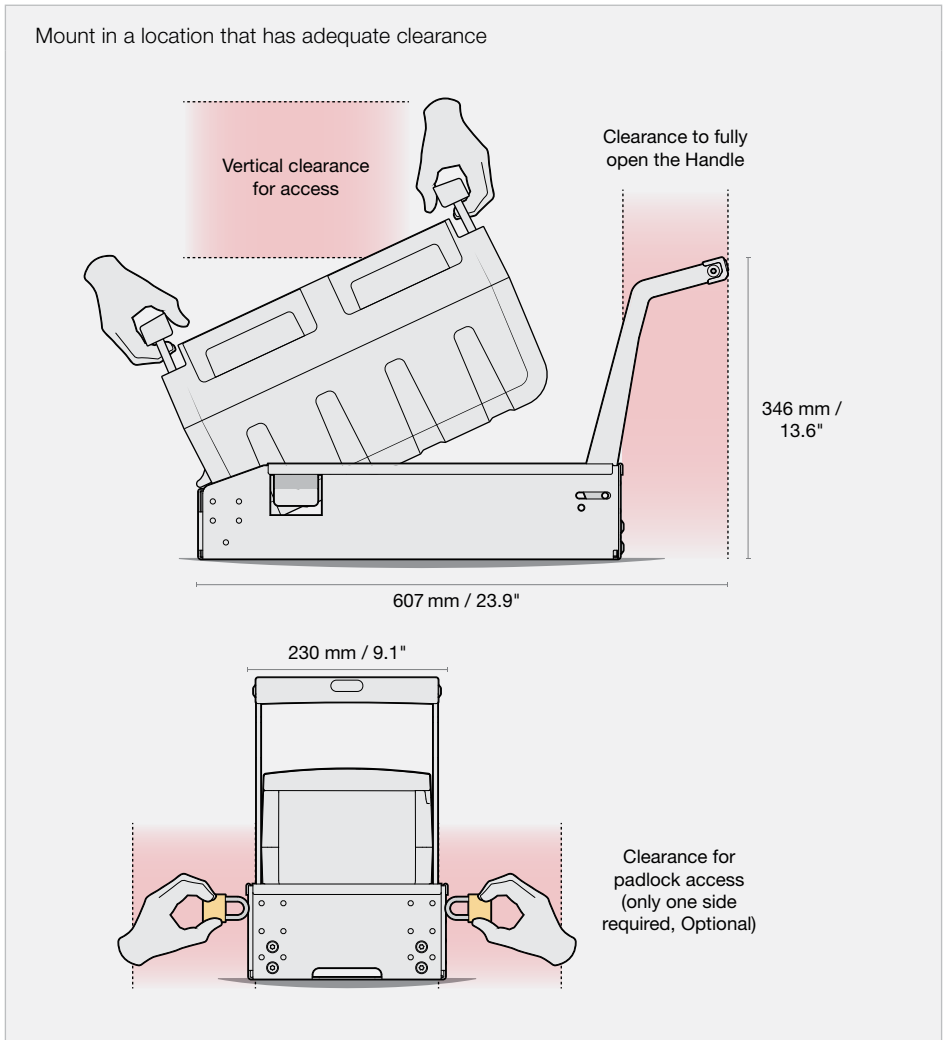
- Inspect the mounting surfaces to make sure they are flat and safe to drill. Check the reverse side of the mounting surface before drilling any holes in order to avoid drilling into any object accidentally.
- The mounting surface for the PowerDock should comprise a single layer rather than multiple layers (such as a steel tray with plastic tub liner).
- Sheet metal mounting surface must have a minimum thickness of 1 mm (3/64").
- Large sections of unsupported or non-structural mounting surfaces will require additional c-section or similar underside support/reinforcement. This includes surfaces such as sheet metal that is thin or has nearby folds, welds etc., composite boards, plywood, or timber.

Mounting Clearances

Choose a position in your vehicle where the PowerDock can be safely and comfortably accessed when docking and undocking the GoBlock. We recommend that the Handle open away from you for ease of access when docking and undocking the GoBlock.

Check that there is room for the Protective Covers on the GoBlock to open so you can access the input/output sockets.

If you intend to use the Padlock Attachment Points (page 24), consider leaving enough clearance on either side of the Dock to access and operate a padlock.



Mounting Parts

YOU WILL NEED:

- 1 × PowerDock (PPSDOCK)
- Fasteners (if supplying your own mounting hardware, see note)

Note: The PowerDock (PPSDOCK) includes mounting fasteners suitable for mounting to a substrate ≤ 21 mm (0.85"). If your mounting substrate exceeds this thickness, you will need to source longer mounting bolts.

POWERDOCK MOUNTING KITS

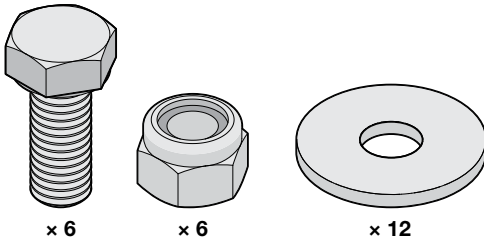
Using a REDARC PowerDock Mounting Kit is recommended. REDARC kits contain suitably rated fasteners for safely mounting the PowerDock. Visit the REDARC website for Mounting Kits available for the PowerDock.

Sourcing Your Own Mounting Hardware

If you choose to source your own mounting hardware/fasteners, ensure they are suitable for use with your chosen mounting surface. See '[Mounting Surface Requirements](#)' (page 8).

Sourced hardware must meet or exceed the below minimum requirements.

- 6 × Bolts (M8×1.25, Grade 8.8 minimum) Select length to suit the mounting substrate thickness.
- 6 × M8 Nyloc (or equivalent) self-locking nuts
- 12 × Flat Washers (M8 × 25 mm)



Mounting Steps

⚠ WARNING

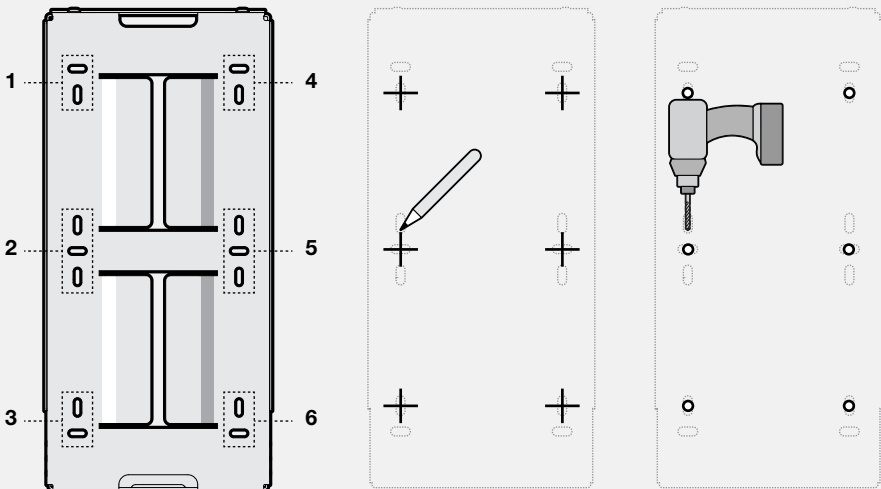
Use suitable Personal Protective Equipment (PPE) when operating power tools.



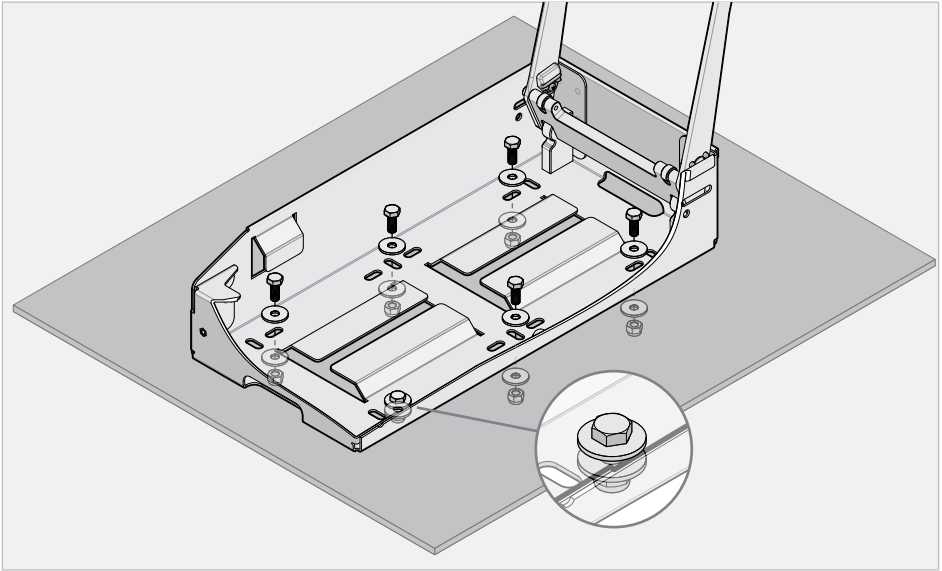
1. Confirm that the clearances around the Dock are adequate; see '[Mounting Clearances](#)' (page 9). Check that there is enough clearance above the Dock by fully opening the Handle.
2. Position the Dock in its final location and mark the centre of each mounting hole. **At least 1 hole at each of the 6 mounting hole locations must be used**, for a total of 6 bolts.
3. Drill the holes — check first that the reverse side of the mounting surface is clear before drilling any holes to avoid drilling into any object accidentally.

De-burr the drilled holes and clear away swarf. To prevent rust, touch up any exposed bare metal surfaces with a rust inhibitor (e.g. primer).

Mounting Hole locations in the PowerDock base. One hole from each location must be used.



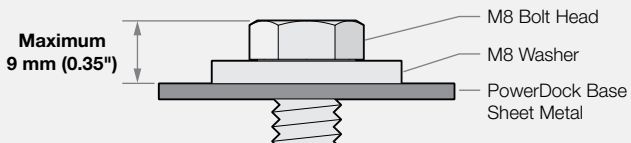
4. Position the PowerDock over the drilled holes and fasten using the mounting hardware. Torque each bolt to 20–25 Nm (14.6 – 18.4 lbf-ft).



NOTE: The combined height of the mounting bolt head and top washer must not exceed 9 mm (0.35"), to allow clearance between the bolt head and the GoBlock.

If hardware exceeds the stated dimensions, it may cause damage to the GoBlock and prevent the GoBlock from docking safely.

Using a REDARC Mounting Kit is recommended.



WIRING

Wiring Parts

YOU WILL NEED:

- 1 × PowerDock (PPSDOCK)
- PowerDock Complete Wiring Kit (PPSDOCKWK-002 recommended)

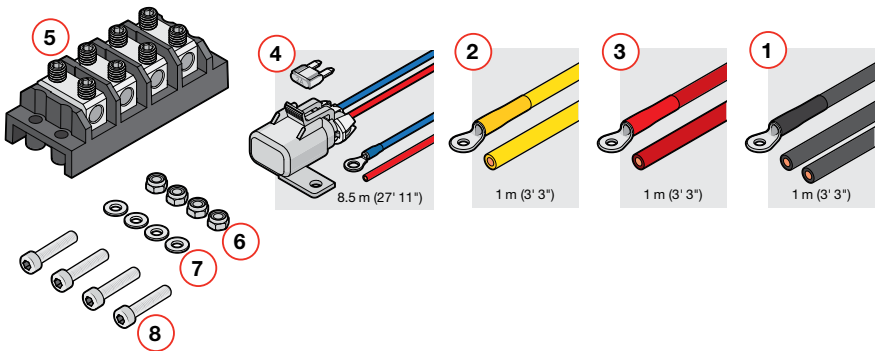
POWERDOCK WIRING KITS

Using a REDARC PowerDock Wiring Kit is recommended. A range of kits are available to suit different mounting configurations — Visit the REDARC website for the full range of Wiring Kits available for the PowerDock.

POWERDOCK BASIC WIRING KIT (PPSDOCKWK-001)

For wiring the PowerDock Terminal Assembly only.

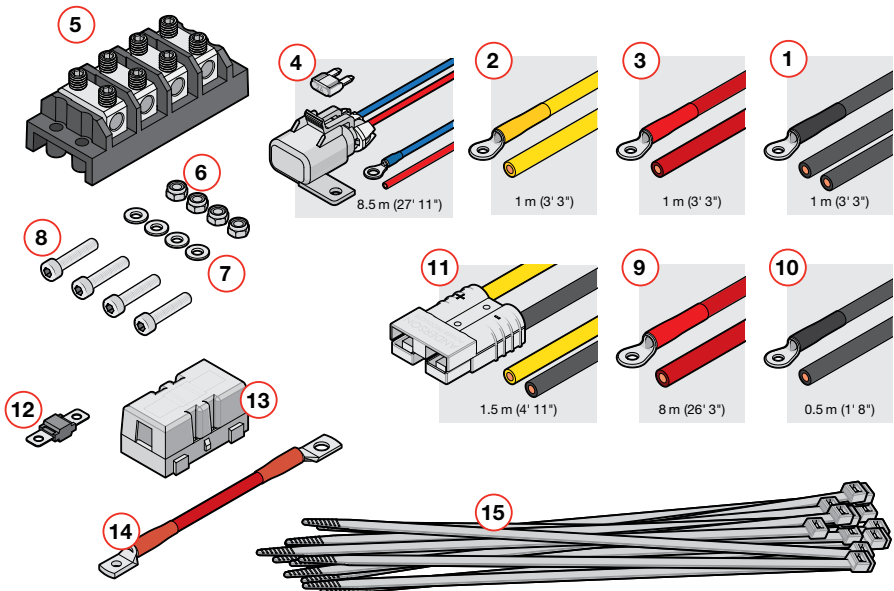
Item	Part	Quantity
1	1 m (3' 3") Black Cable, spliced (10mm ²)	1
2	1 m (3' 3") Yellow Cable (10mm ²)	1
3	1 m (3' 3") Red Cable (10mm ²)	1
4	8.5 m (27' 11") Blue Cable (0.5mm ² , with 2A blade fuse)	1
5	4-Pole Terminal Block	1
6	M5 Nyloc Nut	4
7	M5 Washer	4
8	M5×25 Bolts	4



POWERDOCK COMPLETE WIRING KIT (PPSDOCKWK-002)

For complete wiring installation to your vehicle.

Ref.	Part Description	QTY
1	1 m (3' 3") Black Cable, spliced (10 mm ²)	1
2	1 m (3' 3") Yellow Cable (10 mm ²)	1
3	1 m (3' 3") Red Cable (10 mm ²)	1
4	8.5 m (27' 11") Blue Cable (0.5 mm ² , with 2A blade fuse)	1
5	4-Pole Terminal Block	1
6	M5 Nyloc Nut	4
7	M5 Washer	4
8	M5x25 Bolts	4
9	8 m (26' 3") Red Cable (4 AWG)	1
10	0.5 m (1' 8") Black Cable (6 AWG)	1
11	1.5 m (4' 11") Anderson Solar Cable (6AWG)	1
12	60A Midi fuse	1
13	Midi Fuse Holder	1
14	100 mm (3.9") Red Cable, (short length)	1
15	Cable ties (bundle)	1



Sourcing Your Own Parts

⚠ CAUTION

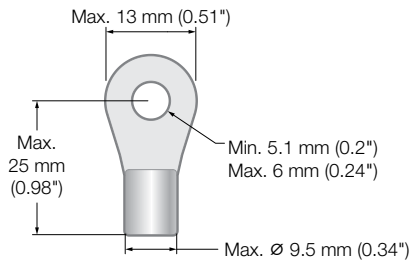
Cable and fuse sizes are specified by various codes and standards which depend on the type of vehicle the PowerDock is installed into. Selecting the wrong cable or fuse size could result in harm to the installer or user and/or damage to the battery or other equipment installed in the system. The installer is responsible for ensuring that the correct cable and fuse sizes are used when installing the PowerDock.

If supplying your own cable, refer to 'Cable Sizing'.

SOURCING LUGS/RING TERMINALS

Lugs must not exceed the given dimensions in order to fit through the cable entry holes in the PowerDock Terminal housing. Lugs can be lightly modified (e.g. filed) to fit if there is only minor interference.

Lugs must be suitable for 50A continuous current for alternator, solar and ground connections.



Cable Sizing

Using a REDARC PowerDock Wiring Kit is recommended, however specific cable length and gauge can be purchased to suit your individual installation if preferred.

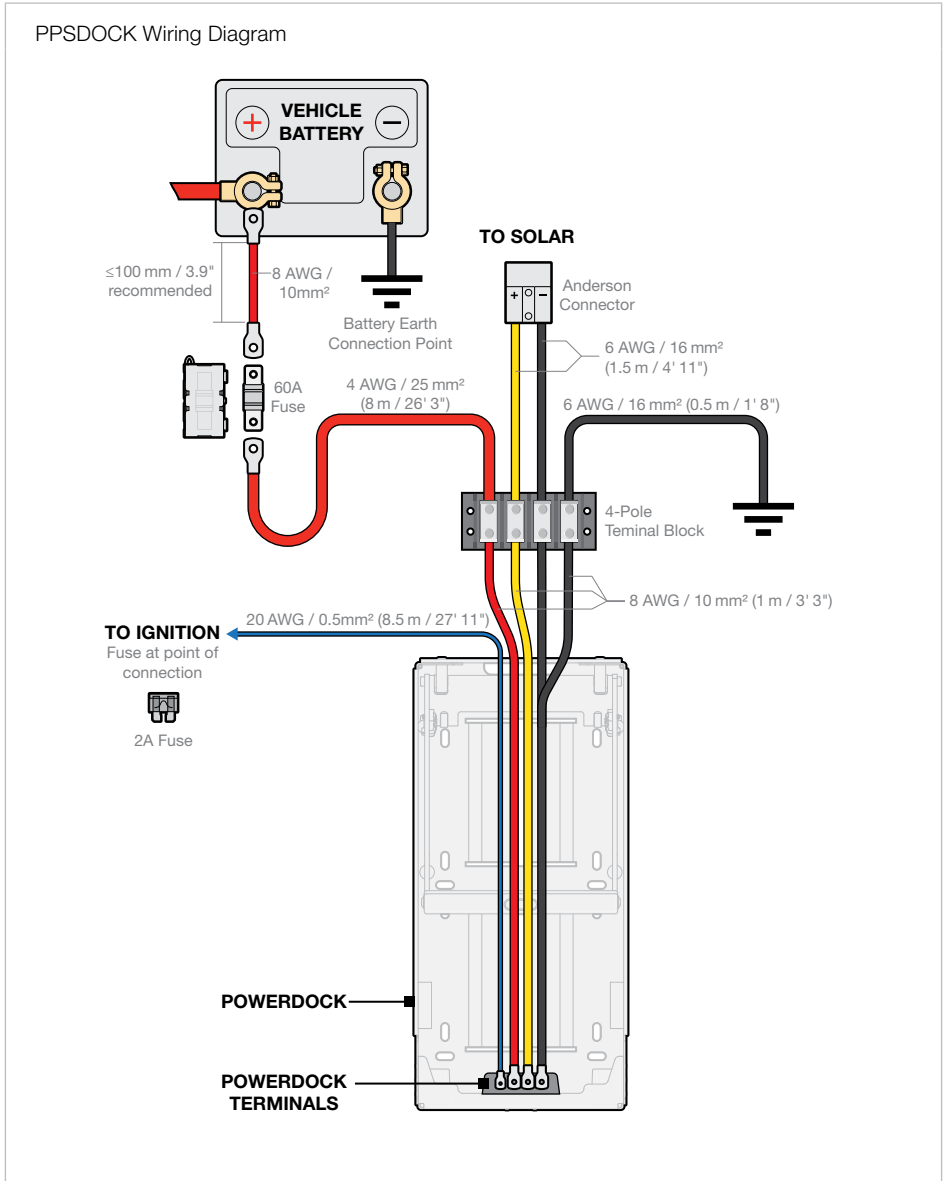
The PowerDock Terminal requires a minimum 8 AWG (or preferably 10 mm²) cable for Solar, Alternator and Ground connections. Larger cables and lugs will not fit within the PowerDock Terminal housing, therefore cable runs longer than 1 m (3') will need a thicker cable to be spliced in (as close as possible to the PowerDock) to ensure a safe and efficient installation.

'Cable Install Length' refers to the total cable length of the install (i.e. the total length of the cables from the vehicle battery positive terminal to the PowerDock grounding point). Always choose a cable cross sectional area equal-to or greater-than the size specified in the table. The selected cable must be capable of carrying a minimum of 60 A.

Cable Install Length		Recommended Cable Cross Section	Closest Equivalent (BAE, B&S, AWG)
0 – 1 m	0' – 3'	≥ 8.37 mm ²	8
1 – 5 m	3' – 16'	≥ 13.56 mm ²	6
5 – 9 m	16' – 30'	≥ 20.28 mm ²	4

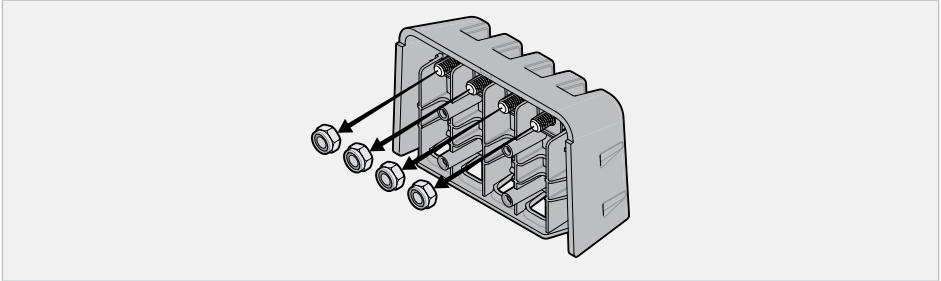
Wiring Diagram

The PowerDock wiring diagram shows a typical configuration for PowerDock installed at the back of the utility vehicle (Ute) tray. Cabling needs to extend the full length of the vehicle and then return to the PowerDock Terminals.

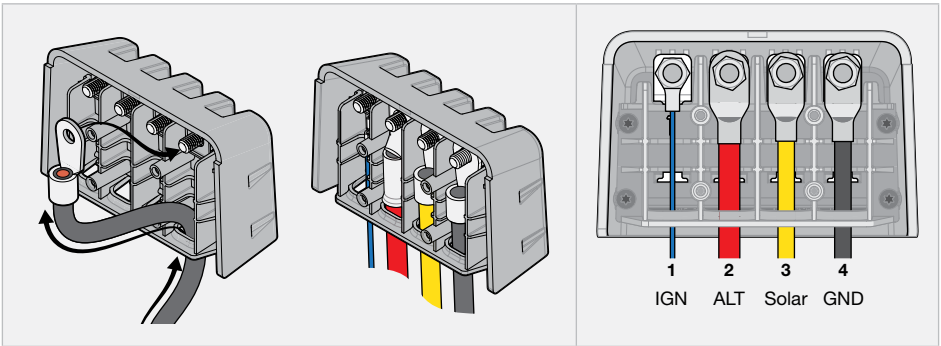


Wiring the PowerDock Terminal Assembly

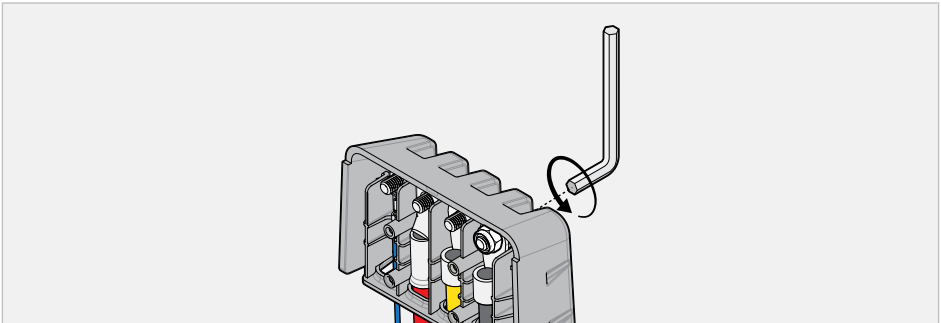
1. If using your own cables, terminate one end of each cable with the appropriate sized/rated lug. See 'Sourcing Lugs/Ring Terminals' (page 15) for more information.
2. Remove the 4 × Nyloc nuts from the screw threads on the Terminals.



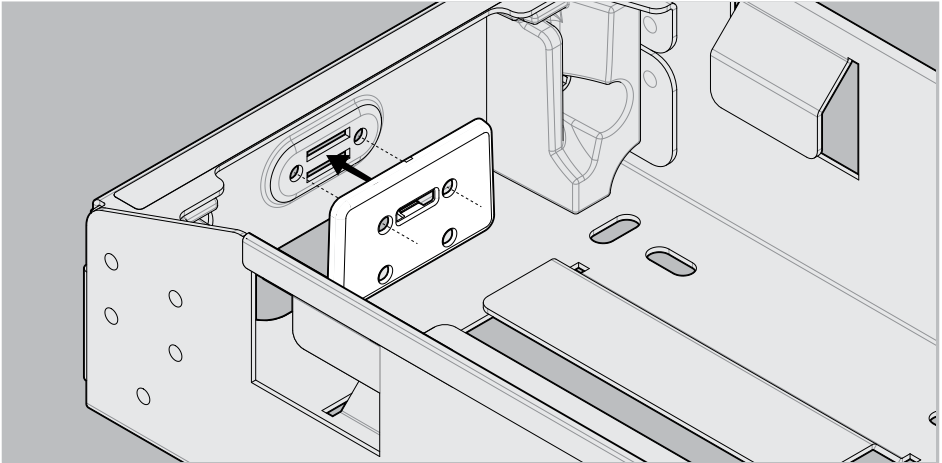
3. Route the cables through the cable entry holes at the bottom of the Terminals housing. Slide the lugs over the threaded studs in the order shown in the Wiring View.



4. Replace the 4 × Nyloc nuts and tighten to $4 \pm 0.5\text{Nm}$ ($2.95 \pm 0.37\text{ lbf-ft}$) — use a 4 mm (5/32") Allen key on the reverse side of the terminals to hold the bolt still as it is tightened.

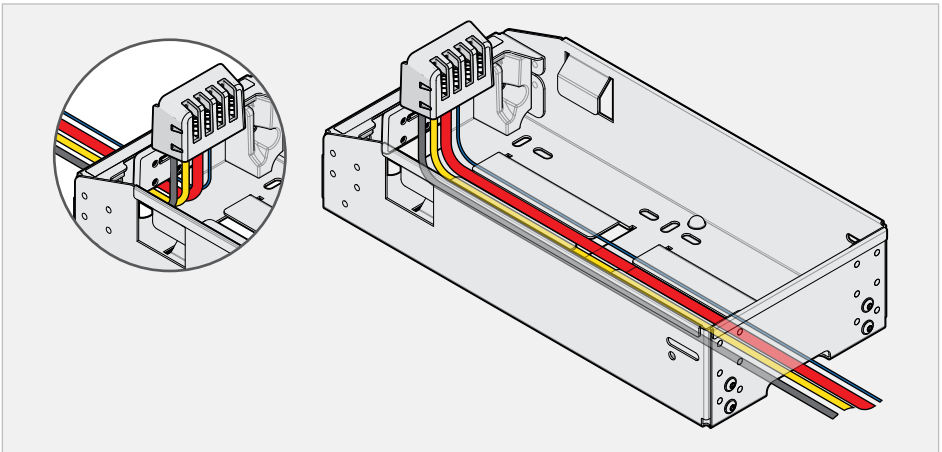


5. From the inside of the PowerDock body, clip the Terminals Shield onto the rectangular slots at the front of the Dock.



6. Run the loose ends of the cables along the Cable Channel from front-to-back, then through the Cable Exit Point at the back of the PowerDock Body. Continue to pull them through until the Terminals Housing is near the Interface on the PowerDock Body.

Note: If your installation configuration requires it, feed the cables through the Cable Exit Point at the front of the PowerDock Body instead of running them underneath.

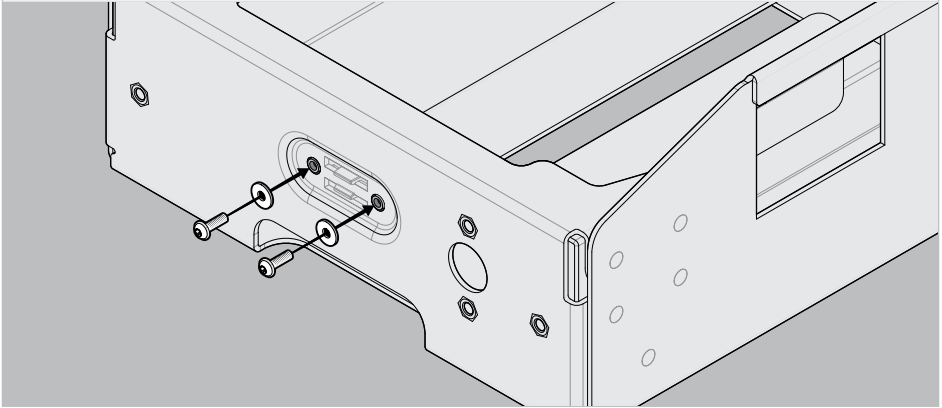


7. Align the top two top mounting points on the Terminals Housing with the holes in the PowerDock and Terminals Shield. Using a Torx Plus 10 IP driver (or T10 Torx driver) fasten with the supplied M3 washers and M3 screws.

Torque the screws to 0.7–0.9Nm (0.5–0.7 lbf-ft). When installed correctly, the washers should be tight against the plastic screw bosses.

NOTICE

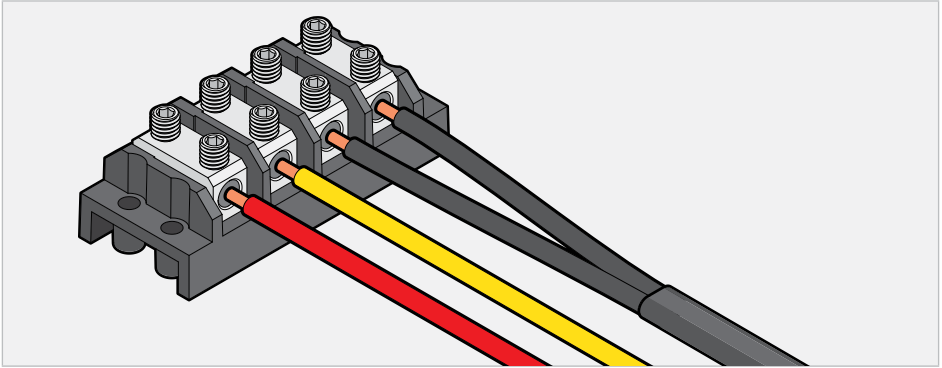
The PowerDock Terminal Assembly should be able to move slightly without resistance when properly fixed to the PowerDock. Take care not to over-tighten the screws as this may damage the plastic housing.



WIRING THE 4-POLE TERMINAL BLOCK (OPTIONAL)

Strip approximately 10 mm (0.4") of insulation from the end of each cable and then insert into the second 4-Pole Terminal Block (refer to 'Wiring Diagram' on page 16.)

Tighten the grub-screws for a firm connection.



Wiring to the Vehicle

BLUE CABLE (IGNITION)

Connect the Blue wire to a signal active when the engine is running (12V vehicle electrical system charging) to maximise GoBlock charging. Ensure that it is fused to 2A.

RED CABLE (ALTERNATOR)

1. Strip 10 mm (0.4") of insulation from the end of the full-length Red Cable and connect to the 4-Pole Terminal Block (if using a PowerDock Wiring Kit).
2. Run the full-length Red Cable to the Vehicle Battery and trim any excess length.
3. Connect the short red cable to the 60A Midi Fuse (and Fuse Holder).

Note: If supplying your own cable, apply the Fuse as close to the battery as possible, ideally no more than 100 mm (3.94") away.

4. Connect the other end of the short red cable to the positive Terminal on the Vehicle Battery.

ANDERSON SOLAR CABLE

1. Trim excess length from the Yellow and Black cables on the Anderson connector, then strip 10 mm (0.4") of insulation from the end of each cable.
2. Connect the Yellow and Black cables to the 4-Pole Terminal Block (if using a PowerDock Wiring Kit).

BLACK CABLE (GROUND)

Strip approximately 10 mm (0.4") of insulation from the end of the cable and connect to the 4-Pole Terminal Block (if using a PowerDock Wiring Kit).

MOUNT THE 4-POLE TERMINAL BLOCK

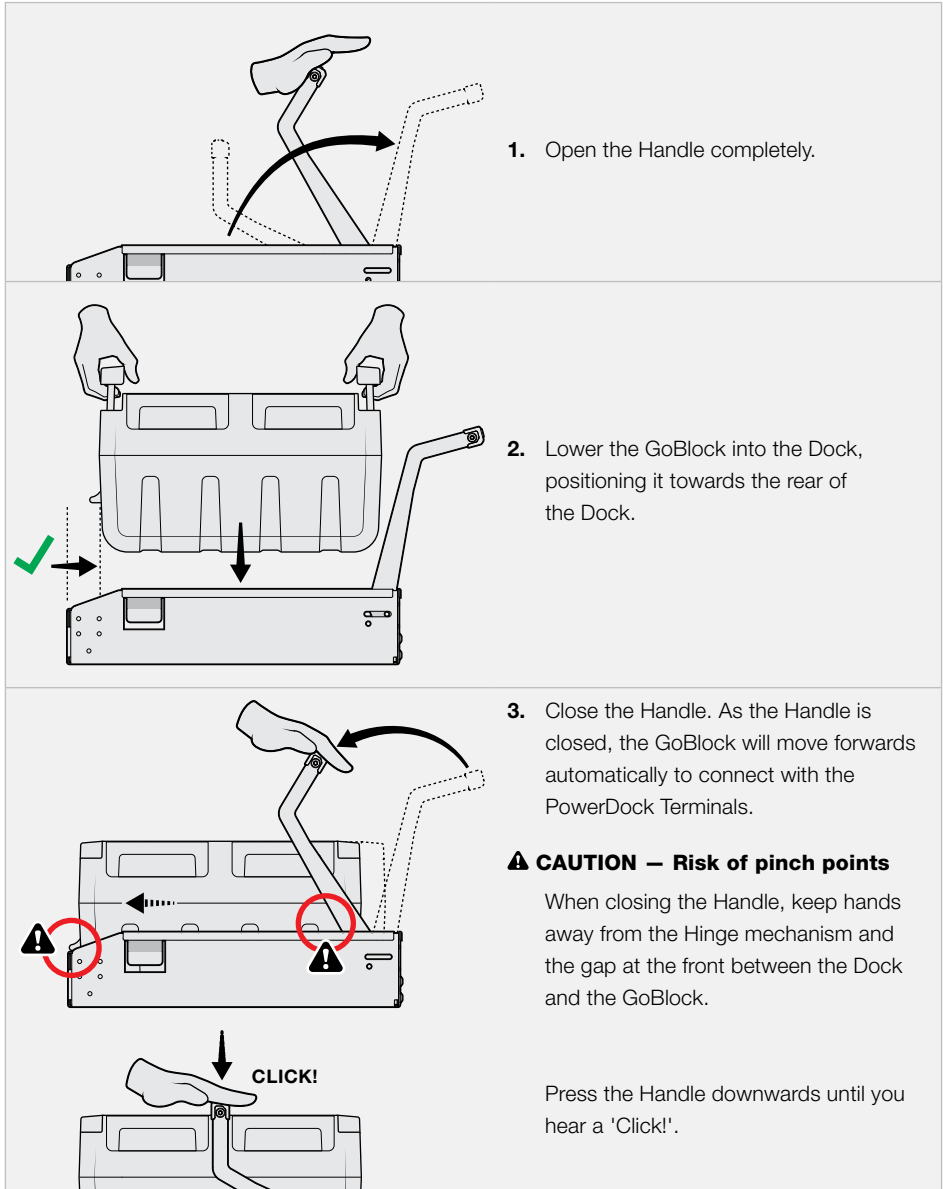
If using the 4-Pole Terminal Block, mount it to a clear space on the vehicle using the M5 Nyloc Nuts, M5 Washers, and M5×25 Bolts. Mark and drill 4 holes and fasten. Touch up any exposed metal with a rust inhibitor/primer.

TIDY UP CABLES

Once the cabling is complete, tidy up the cables using cable ties and/or split tubing. Cables should be securely anchored to prevent movement that may cause strain or abrasion.

OPERATION

Dock the GoBlock



1. Open the Handle completely.

2. Lower the GoBlock into the Dock, positioning it towards the rear of the Dock.

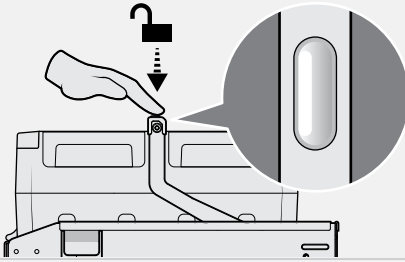
3. Close the Handle. As the Handle is closed, the GoBlock will move forwards automatically to connect with the PowerDock Terminals.

⚠ CAUTION – Risk of pinch points

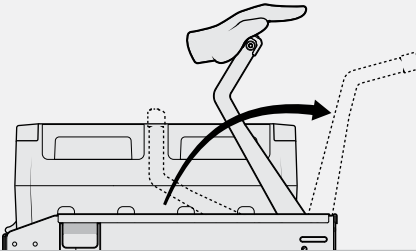
When closing the Handle, keep hands away from the Hinge mechanism and the gap at the front between the Dock and the GoBlock.

Press the Handle downwards until you hear a 'Click!'.

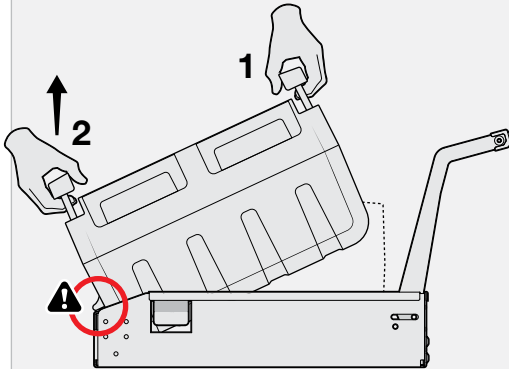
Undock the GoBlock



1. Press the Quick-Release Button on the top of the Handle to release the Latch.



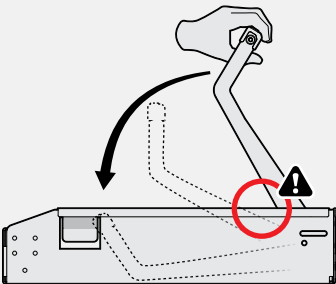
2. Completely open the PowerDock Handle.



3. Using the GoBlock's extending Carry Handles, lift the GoBlock from the back first, then lift the front out of the Dock.

⚠ CAUTION – Risk of pinch points

When undocking the GoBlock, keep hands away from the gap at the front between the Dock and the GoBlock.



4. Completely close the PowerDock Handle until it is resting inside the Dock.

⚠ CAUTION – Risk of pinch points

When closing the Handle, keep hands away from the hinge mechanism.

Safe Vehicle Transportation

The REDARC PowerDock is recommended to restrain the GoBlock for safe transportation in a vehicle, however **it is the vehicle operators responsibility to ensure that the restraint method and equipment comply with local laws and standards.**

⚠ WARNING

- An unsecured GoBlock can become dangerous in an accident or sudden stop. The GoBlock must be securely locked into the Dock during transport — make sure the Handle is fully closed and latched prior to travel.
- The PowerDock must be installed behind (not in front) of the vehicle seats. Do not install the GoBlock in the vehicle interior area shared by occupants.

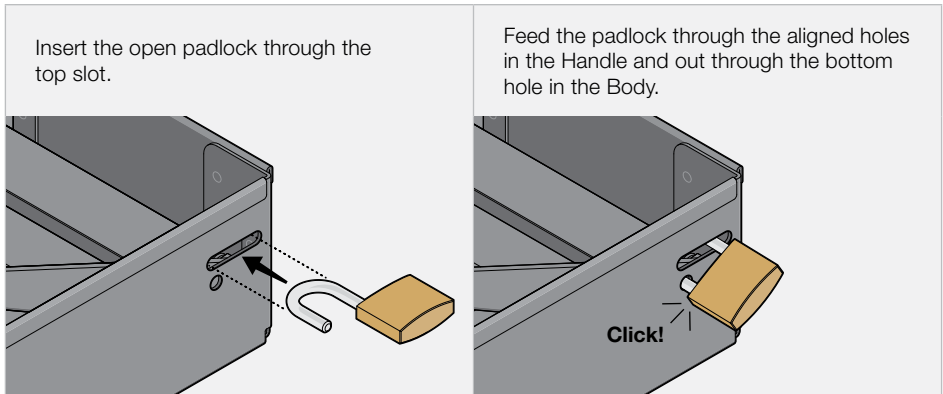
Padlock Attachment

As an anti-theft measure, a padlock can be attached to either side of the Handle. Attach a padlock to the side that is easiest to access.

Consider clearance for accessing a padlock when choosing your PowerDock mounting location. See '[Mounting Clearances](#)' (page 9).

The Padlock Attachment Points are compatible with a standard 40 mm (1 $\frac{5}{16}$ ") padlock with a maximum shank diameter of ≤ 6.5 mm ($\frac{1}{4}$ ")

The Handle must be in the docked position for the Attachment Point holes in the Handle to align with the corresponding holes in the PowerDock body.



CARE AND MAINTENANCE

Care and Maintenance Advice

- Carefully inspect the PowerDock before each trip to ensure it is in good condition. Do not use the PowerDock if you suspect that it has been damaged in any way.
- Replace the PowerDock Terminal Assembly Periodically — For detailed information, see '[PowerDock Terminal Assembly Kit \(PPSDOCKKIT-002\)](#)' on page 26.
- When the PowerDock is not in use (no GoBlock is docked), completely close the PowerDock Handle until it is resting inside the PowerDock Body.
- If sand, grit, or dirt accumulate on the PowerDock Body or mechanisms, wipe clean with a damp cloth. Do not rinse/hose with water.
- Do not apply lubricants to any moving parts, as it could cause damage to the mechanisms and Body of the PowerDock.
- Periodically check that the PowerDock Interface is clean and free of mud and grit before inserting the GoBlock into the Dock. Wipe with a clean damp cloth as needed.
- Do not use solvents to clean the PowerDock.
- Do not allow the PowerDock to come into contact with corrosive substances.

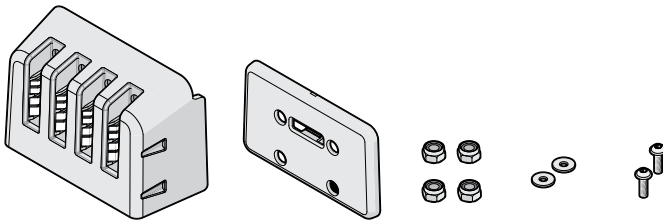
Spare Parts

Periodically replace serviceable parts of the PowerDock to ensure it continues to operate optimally. Visit the REDARC website for the full range of spare parts available for the PowerDock.

POWERDOCK TERMINAL ASSEMBLY KIT (PPSDOCKKIT-002)

The PowerDock Terminal Assembly may require periodic replacement to keep your PowerDock operating optimally and safely. The Terminal Assembly should be replaced:

- Immediately, if there is any sign of damage such as worn or bent contact blades, damaged plastic housings etc.
- Immediately, if excessive heat is felt after charging, or;
- After approximately 4 years of normal use.



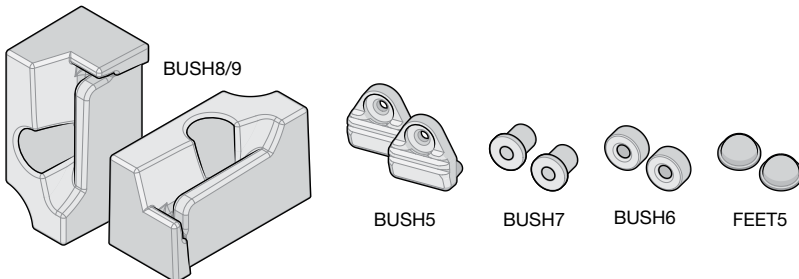
PPSDOCKKIT-002 — PowerDock Terminal Assembly Kit

ANTI-VIBRATION BUSHES, PIVOTS AND FEET

The Dock may be subjected to high levels of vibration if installed in a vehicle that has travelled frequently on uneven roads, so inspect the condition of these parts and replace as needed.

The following parts should be replaced if they become worn or damaged.

- PowerDock Side-Stop Bushes (BUSH5 — identical pair)
- PowerDock Rollers (BUSH6 — identical pair)
- PowerDock Dock Pivot Bushes (BUSH7 — identical pair)
- PowerDock Dock End-Stops (BUSH8/9 — mirrored pair)
- PowerDock Round Anti-vibration Feet (FEET5 — identical pair)



TROUBLESHOOTING

General Troubleshooting

If you experience any of the listed problems, follow the recommended actions in order until the problem is resolved — all steps may not be needed to resolve the problem.

If the problem persists after completing all of the recommended actions, contact REDARC directly, or your local REDARC Distributor.

For all troubleshooting relating to the GoBlock interactions, refer to the GoBlock Instruction Manual.

The Handle will not latch

1. Check that there are no obstructions preventing the Handle from closing.
2. Check that there are no obstructions around the Latch Hook and corresponding Latch point on top of the GoBlock.
3. Make sure the GoBlock is properly docked and there are no obstructions under it preventing it from sitting completely in the Dock.

The GoBlock rattles in the PowerDock during travel

1. Make sure the GoBlock is properly latched.
2. Make sure the Anti-Vibration feet in the base of the Dock are in-place and in good condition. Clean them if they are dirty/dusty. Replace them if they are damaged or worn.

The Handle does not hold its position (will not stay open)

The friction/antivibration bushes may be worn, dirty, or missing.

1. Make sure the friction blocks/bushes in the left and right side of the Handle near the Hinge are in-place and in good condition. Clean them if they are dirty/dusty. Replace them if they are damaged or worn.

Frequently Asked Questions

How do I secure the dock to the moveable floor panels of my SUV, wagon or sedan?

You can't. The PowerDock must be permanently secured to fixed structures.

What electrical connections can be permanently wired to the Dock?

The PowerDock is designed to accept wiring for charging only. Connection provision is made for a good Earth, solid connection to the vehicle electrical 12V system and Solar.

TECHNICAL SPECIFICATIONS

Physical Specifications

Weight	5.7 kg / 12.6 lb
Dimensions (H × W × D)	Closed: 110 × 230 × 487 mm / 4.3" × 9.1" × 19.2"
	Docked: 263 × 230 × 487 mm / 10.4" × 9.1" × 19.2"
	Open: 346 × 230 × 607 mm / 13.6" × 9.1" × 23.9"

Thermal Specifications

Operating Temperature Range

Discharging	-20°C to 60°C / -4°F to 140°F
Charging	0°C to 45°C / 32°F to 113°F
Operating	-40°C to 65°C / -40°F to 149°F

Electrical Specifications

PowerDock Vehicle Input

Maximum Current	50 A (nominal)
Operating Voltage Range	9 to 32 V

Compliance and Standards

Safety	Crash-tested and compliant to ADR (safety requirements)
--------	---

WARRANTY

LIMITED WARRANTY

For full warranty terms and conditions, visit the Warranty page of the REDARC website. Refer to the web address and contact details applicable to your region.

Australia, New Zealand & Europe

www.redarc.com.au/warranty

REDARC Electronics Pty Ltd
23 Brodie Road (North),
Lonsdale SA 5160
Australia

Australia +61 8 8322 4848
New Zealand +64 9 222 1024
UK & Europe +44 (0)20 3930 8109

North America

www.redarcelectronics.com/warranty

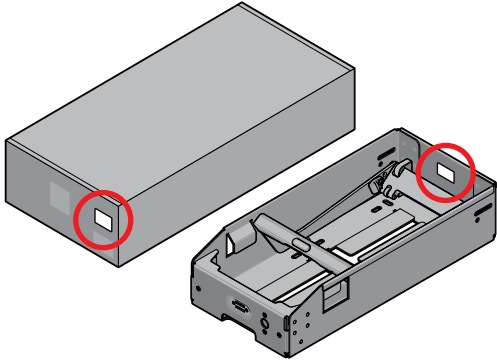
REDARC Corporation
c/o Shallco, Inc.
308 Component Dr.
Smithfield, NC 27577
USA

USA +1 (704) 247 5150
Canada +1 (604) 260 5512
Mexico +52 (558) 526 2898

ADDITIONAL INFORMATION

Checking the Product Serial Number

The Product Serial Number is located on the PowerDock body and on the product packaging.



REDARC Electronics Pty Ltd

ABN 77 136 785 092

REDARC Electronics Pty Ltd
23 Brodie Road (North),
Lonsdale SA 5160
Australia

PATENTS

Patents apply.

Australia

Australian Design Registration:
202013505 (PowerDock)

U.S.A

US Design Patent Application:
29/763,615 (PowerDock)

Canada

Canadian Design Application:
200237 (PowerDock)

Mexico

Mexican Design Application:
MX/F/2021/000021 (PowerDock)

Product configuration and technical specifications are subject to change without notice.

Copyright © 2021 REDARC Electronics Pty Ltd. All rights reserved.

REDARC®, GoBlock®, and THE POWER OF REDARC® are trademarks of REDARC Electronics Pty Ltd.

Anderson™ and Anderson Power Products® are trademarks of Anderson Power Products, Inc.

CONTACT

Tech Support 1300 REDARC (1300-733-272)

Australia +61 8 8322 4848

New Zealand +64 9 222 1024

UK & Europe +44 (0)20 3930 8109

redarc.com.au

USA +1 (704) 247-5150

Canada +1 (604) 260-5512

Mexico +52 (558) 526-2898

redarcelectronics.com

THE POWER OF

