

NUWEIGH®

PLATFORM SCALE JAC 929-171

Our authentic products carry this **NUWEIGH®** trademark

Large 22mm LCD back-lit display

SUITABLE FOR APPLICATIONS IN

- Peak Hold Weighing
- Check Weighing
- Accumulation

CBH171 INDICATOR

TARE

ZERO

UNIT



FEATURES

- LCD display
- Compact structure
- 12v AC Adapter & internal rechargeable battery operation
- Simple calibration
- RS232 as standard
- Durable ABS housing
- Dimensions 112 x 234mm

JAC929 BASE DIMENSIONS

3 Capacities available

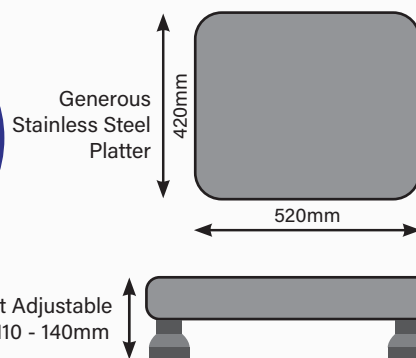
Excellent overload protection

Stainless Steel weighing platter

Rugged, heavy duty base works

Large, level feet

NMI AUSTRALIA CERTIFIED



MODEL	CAPACITY	RESOLUTION	PLATFORM SIZE	INV. NO.
JAC929-171	30/60kg	10/20g	420 x 520mm	36203
JAC929-171	60/150kg	20/50g	420 x 520mm	35728
JAC929-171	150/300kg	20/100g	420 x 520mm	35729



NUWEIGH® AUSTRALIA

NATIONAL SERVICE AND SALES NSW | VIC | ACT | QLD | NT | SA | WA | TAS

1300 885 746 | sales@nuweigh.com.au | www.nuweigh.com.au

Newcastle Weighing Services EST.1976 | ABN 36 001 344 430